



Save time and money with Grad™ rails: one of the fastest way to build durable and strong decks. Stop installing one clip at a time, help prevent water traps, and remove boards whenever you need. Check it out here :



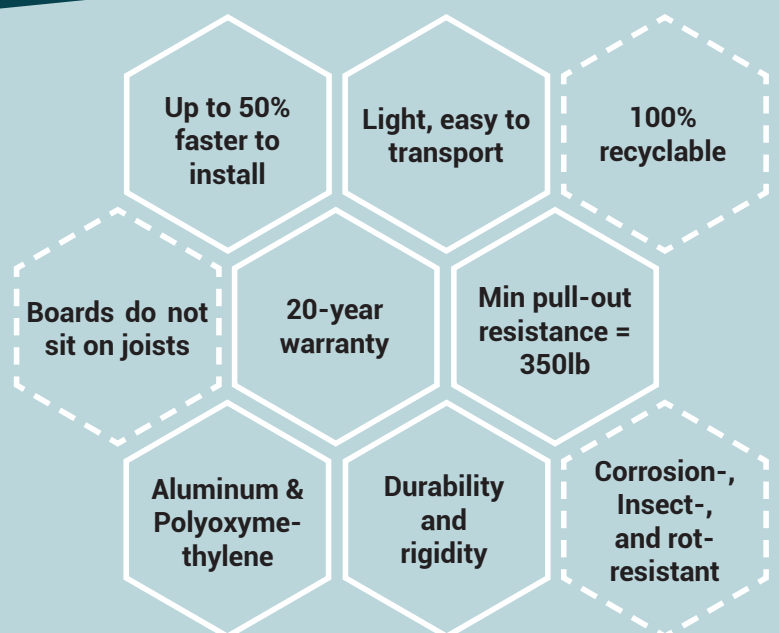
grad™

FOR
DECKING



THE CLIP-ON SYSTEM TO CREATE DECKS & PATIOS FOR TEMPORARY OR PERMANENT APPLICATIONS

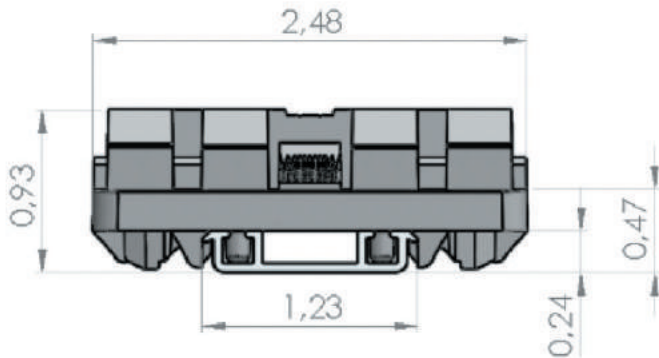
- 100% hidden fastener system
- Use 10 times fewer clips and screws
- Boards are simply snapped onto the rails without fasteners
- No need for pre-drilling, no need to check board alignment or gap size
- Boards can be removed to access the subdeck
- No contact between boards and joists
- US-patented system
- 15-year market experience



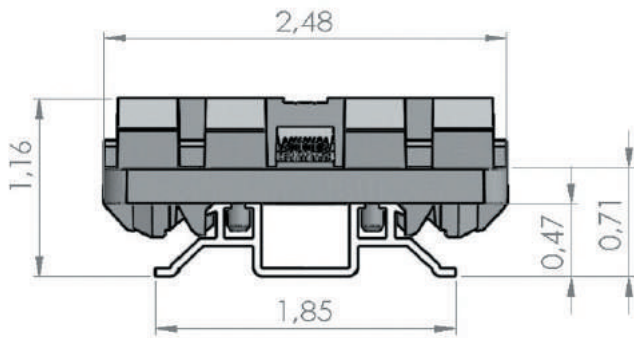
HOW DOES IT WORK ?

NON STRUCTURAL RAILS :

Mini Rail : perfect fit on 2x

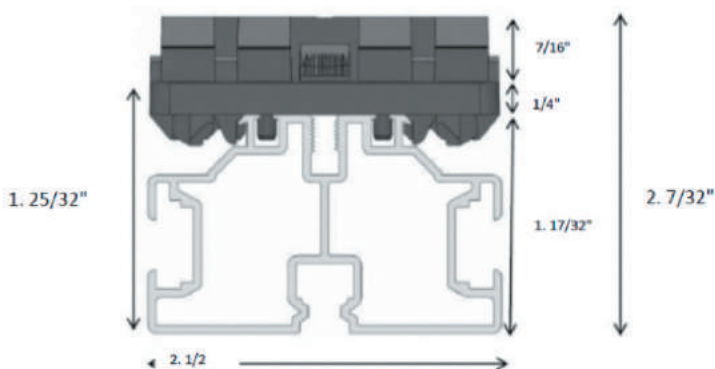


Start Rail : allows board removal



STRUCTURAL RAIL :

PR39 : strength and durability



Grad™ rails can be cut to length

- On joists: align Grad™ rails on top of the joists and fix the rails with Stainless Steel screws.
- On flat and regular surfaces (concrete, slabs...): place Grad™ rails on top. Only fix the rails with Stainless Steel screws if needed.
- Only PR39 rails can be placed across joists.
- Position the boards and snap them on top of the Grad™ clips.



On joists



On concrete

Build or renovate :

- Decks
- Docks
- Balconies
- and because you can unclip it all: temporary outdoor areas

Use Grad™ with :

- Thermally-modified woods
- Bamboo
- Hardwoods & Redwoods
- Composite boards

Get the boards from US/CA partners or machine the grooves by yourself :

- Grad™ grooving kit
- Grad-UAL profiling machine

Always follow installation guidelines and local, state, federal building codes.

Check our board compatibility chart.

This document is not contractual. Full contact details of picture lenders on request. Please consider the environment and avoid printing this document. GRAD Concept USA 2021.

Get inspired & Learn more !



gradconcept_usa

Some of our partners :



- Moso North America
- Kebony North America
- Thermory USA
- Woodhaven Inc

- Turkel Design
- Gensler Architects
- BCI Drywall
- JW Home Improvement



- Thermalwood Canada
- JDM Architects
- CLADInc. Architecture