



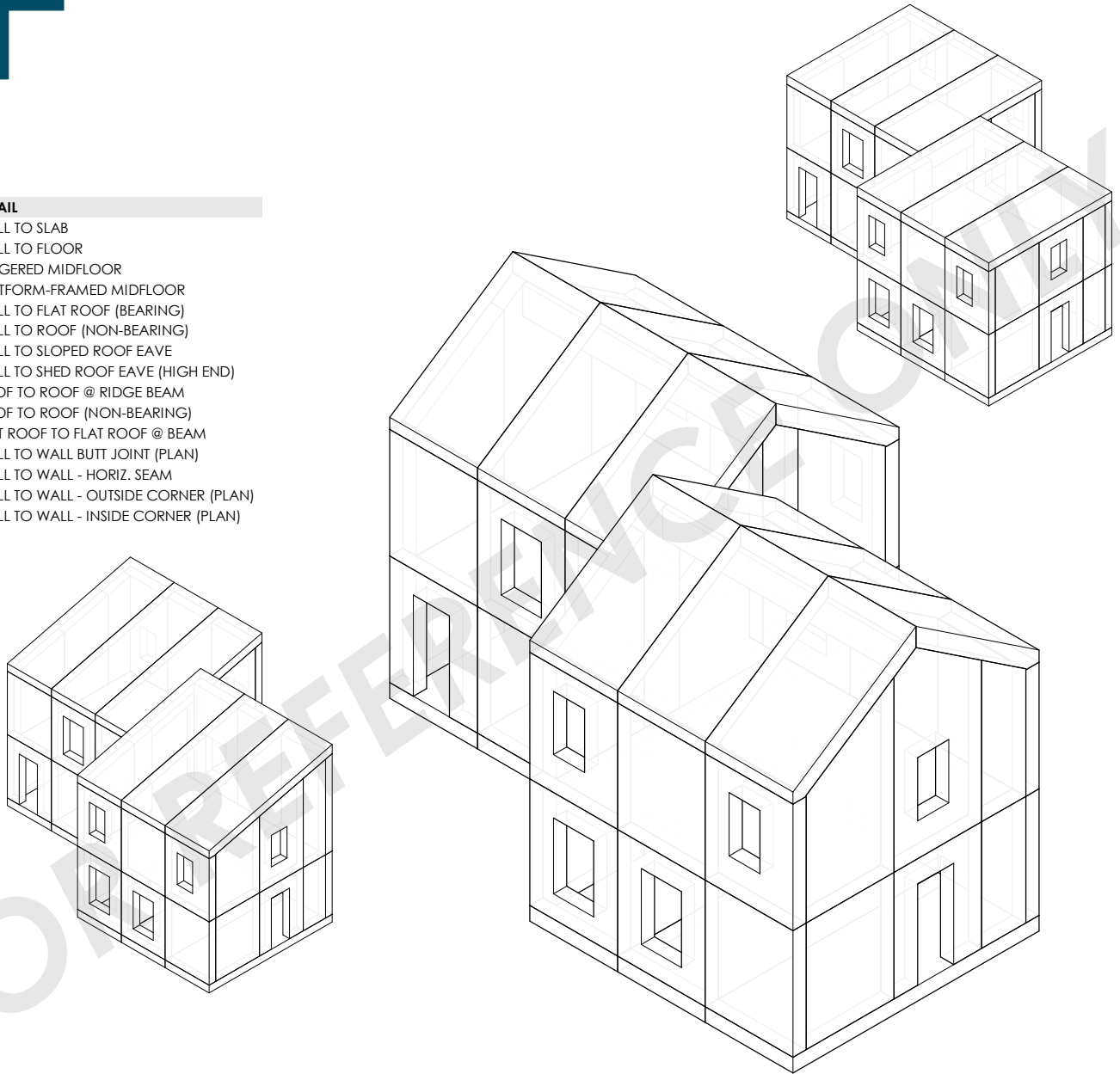
# PANEL CONNECTION DETAILS

COVER

# 00-00

## INDEX

SHT. #	DETAIL
FC-01	WALL TO SLAB
FC-02	WALL TO FLOOR
MF-01	LEDGERED MIDFLOOR
MF-02	PLATFORM-FRAMED MIDFLOOR
RC-01	WALL TO FLAT ROOF (BEARING)
RC-02	WALL TO ROOF (NON-BEARING)
RC-03	WALL TO SLOPED ROOF EAVE
RC-04	WALL TO SHED ROOF EAVE (HIGH END)
RC-05	ROOF TO ROOF @ RIDGE BEAM
RC-06	ROOF TO ROOF (NON-BEARING)
RC-07	FLAT ROOF TO FLAT ROOF @ BEAM
WC-01	WALL TO WALL BUTT JOINT (PLAN)
WC-02	WALL TO WALL - HORIZ. SEAM
WC-03	WALL TO WALL - OUTSIDE CORNER (PLAN)
WC-04	WALL TO WALL - INSIDE CORNER (PLAN)



# B.PUBLIC PREFAB

## PANEL CONNECTION DETAILS

### SERIES E (2024)

#### B.PUBLIC PREFAB

900 W San Mateo Rd.  
Ste. 500  
Santa Fe, NM 87505  
(505) 230-4010  
info@bpublicprefab.com

THESE COMPONENT IMAGES ARE PROVIDED FOR REFERENCE ONLY. ANY USE OF THE INFORMATION, OR MODIFICATIONS TO THEM, BY OWNER IS DONE AT OWNER'S OWN RISK. OWNER MUST HAVE THE RESULTS OF COMBINATIONS OF COMPONENT IMAGES OR ANY MODIFICATIONS THERETO REVIEWED AND/OR PREPARED BY A LOCAL LICENSED PROFESSIONAL ARCHITECT OR ENGINEER BEFORE USE FOR FINAL DESIGN OR CONSTRUCTION OF ANY STRUCTURE. B.PUBLIC (PUBLIC, PBC) RESERVES THE RIGHT TO DISCONTINUE, MODIFY OR CHANGE PRODUCTS AND DETAILS AT ANYTIME WITHOUT NOTICE. THE USE OF THIS DOCUMENT IS RESTRICTED TO THE PROJECT FOR WHICH IT WAS CREATED, AND PUBLICATION THEREOF IS EXPRESSLY LIMITED TO SUCH USE. ALL OTHER REUSE, REPRODUCTION OR PUBLICATION BY ANY METHOD, IN WHOLE OR IN PART, IS PROHIBITED.  
© 2024 PUBLIC, PBC.



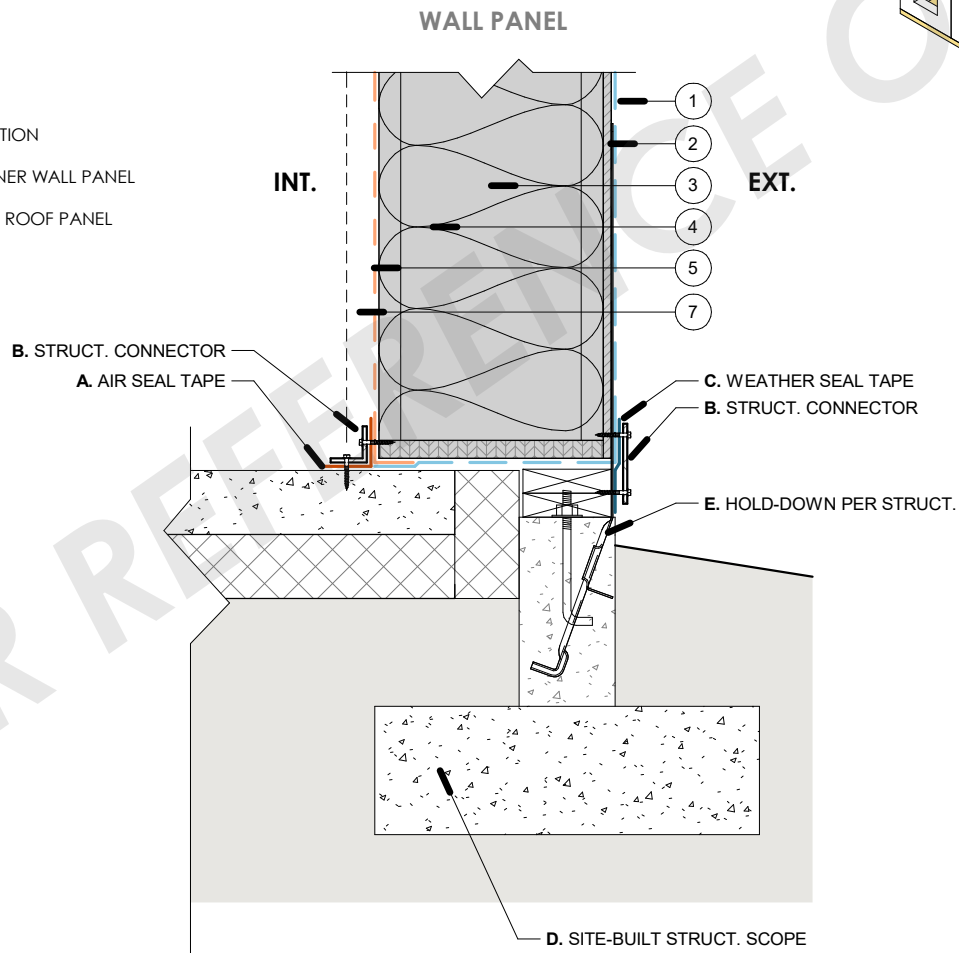
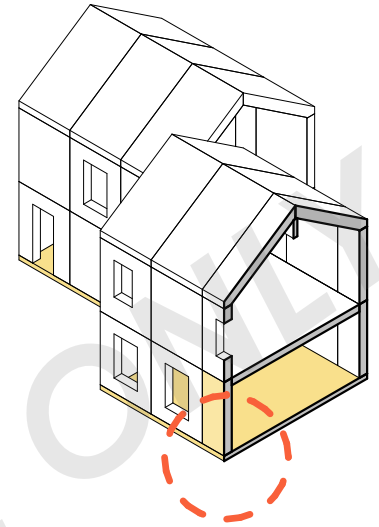
# PANEL CONNECTION DETAILS

## WALL TO SLAB

# FC-01

### PANEL COMPONENTS

1. WEATHER BARRIER
2. PLYWOOD SHEATHING / DECKING
3. WOOD I-JOIST FRAMING & 2X6 BEARING STUD
4. DENSE-PACK CELLULOSE INSULATION
5. AIR BARRIER
6. EXT. FURRING STRIPS
7. INT. SERVICE CAVITY
8. PANEL EDGE WEB INSULATION
9. PLYWOOD INFILL @ CORNER WALL PANEL
10. ADD. 2X6 FURRING @ R80 ROOF PANEL



REFER TO B.PUBLIC PREFAB  
PRODUCT DATA SHEETS &  
PANEL SPECIFICATIONS FOR  
FURTHER INFORMATION.

### B.PUBLIC PREFAB

900 W San Mateo Rd.  
Ste. 500  
Santa Fe, NM 87505  
(505) 230-4010  
info@bpublicprefab.com

## 1 WALL TO SLAB

1" = 1'-0"

THESE COMPONENT IMAGES ARE PROVIDED FOR REFERENCE ONLY. ANY USE OF THE INFORMATION, OR MODIFICATIONS TO THEM, BY OWNER IS DONE AT OWNER'S OWN RISK. OWNER MUST HAVE THE RESULTS OF COMBINATIONS OF COMPONENT IMAGES OR ANY MODIFICATIONS THERETO REVIEWED AND/OR PREPARED BY A LOCAL LICENSED PROFESSIONAL ARCHITECT OR ENGINEER BEFORE USE FOR FINAL DESIGN OR CONSTRUCTION OF ANY STRUCTURE. B.PUBLIC (PUBLIC, PBC) RESERVES THE RIGHT TO DISCONTINUE, MODIFY OR CHANGE PRODUCTS AND DETAILS AT ANYTIME WITHOUT NOTICE. THE USE OF THIS DOCUMENT IS RESTRICTED TO THE PROJECT FOR WHICH IT WAS CREATED, AND PUBLICATION THEREOF IS EXPRESSLY LIMITED TO SUCH USE. ALL OTHER REUSE, REPRODUCTION OR PUBLICATION BY ANY METHOD, IN WHOLE OR IN PART, IS PROHIBITED.  
© 2024 PUBLIC, PBC.



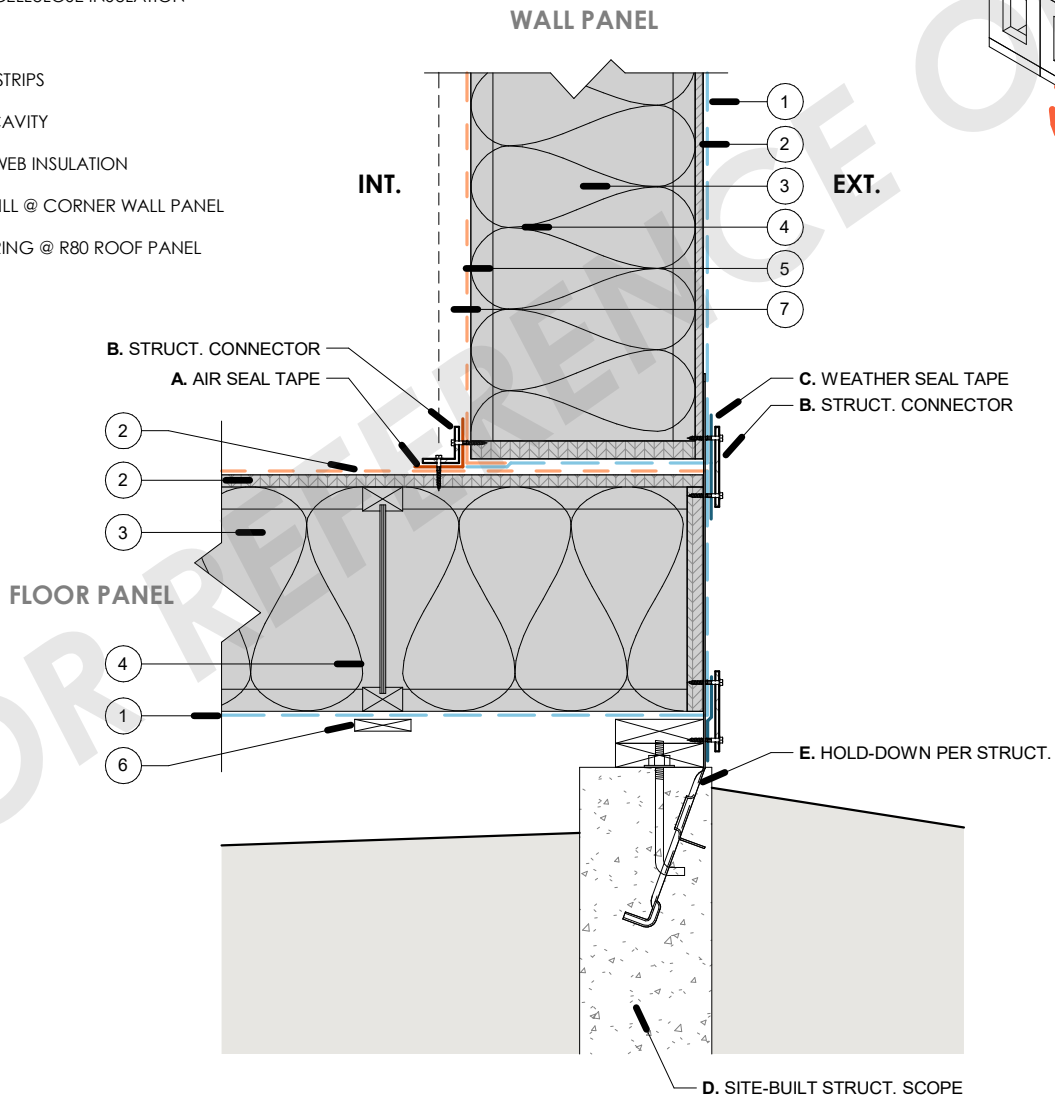
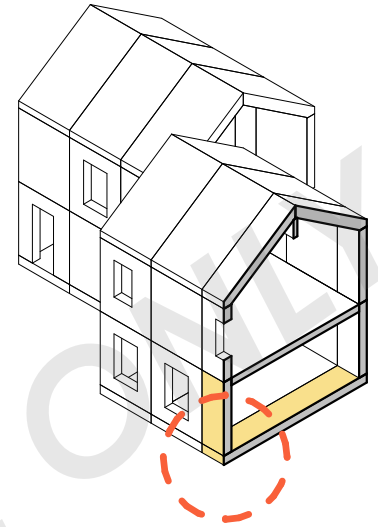
# PANEL CONNECTION DETAILS

## WALL TO FLOOR

# FC-02

### PANEL COMPONENTS

1. WEATHER BARRIER
2. PLYWOOD SHEATHING / DECKING
3. WOOD I-JOIST FRAMING & 2X6 BEARING STUD
4. DENSE-PACK CELLULOSE INSULATION
5. AIR BARRIER
6. EXT. FURRING STRIPS
7. INT. SERVICE CAVITY
8. PANEL EDGE WEB INSULATION
9. PLYWOOD INFILL @ CORNER WALL PANEL
10. ADD. 2X6 FURRING @ R80 ROOF PANEL



REFER TO B.PUBLIC PREFAB  
PRODUCT DATA SHEETS &  
PANEL SPECIFICATIONS FOR  
FURTHER INFORMATION.

### B.PUBLIC PREFAB

900 W San Mateo Rd.  
Ste. 500  
Santa Fe, NM 87505  
(505) 230-4010  
info@bpublicprefab.com

## 1 WALL TO FLOOR

1" = 1'-0"

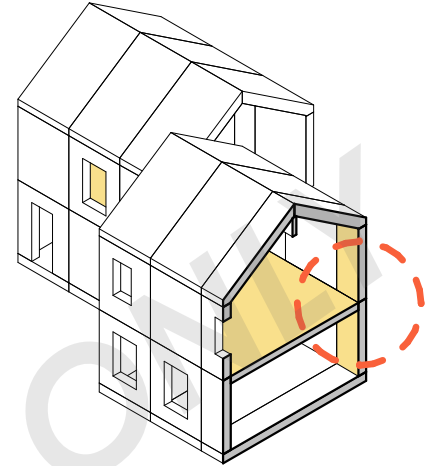
THESE COMPONENT IMAGES ARE PROVIDED FOR REFERENCE ONLY. ANY USE OF THE INFORMATION, OR MODIFICATIONS TO THEM, BY OWNER IS DONE AT OWNER'S OWN RISK. OWNER MUST HAVE THE RESULTS OF COMBINATIONS OF COMPONENT IMAGES OR ANY MODIFICATIONS THERETO REVIEWED AND/OR PREPARED BY A LOCAL LICENSED PROFESSIONAL ARCHITECT OR ENGINEER BEFORE USE FOR FINAL DESIGN OR CONSTRUCTION OF ANY STRUCTURE. B.PUBLIC (PUBLIC, PBC) RESERVES THE RIGHT TO DISCONTINUE, MODIFY OR CHANGE PRODUCTS AND DETAILS AT ANYTIME WITHOUT NOTICE. THE USE OF THIS DOCUMENT IS RESTRICTED TO THE PROJECT FOR WHICH IT WAS CREATED, AND PUBLICATION THEREOF IS EXPRESSLY LIMITED TO SUCH USE. ALL OTHER REUSE, REPRODUCTION OR PUBLICATION BY ANY METHOD, IN WHOLE OR IN PART, IS PROHIBITED.  
© 2024 PUBLIC, PBC.



# PANEL CONNECTION DETAILS

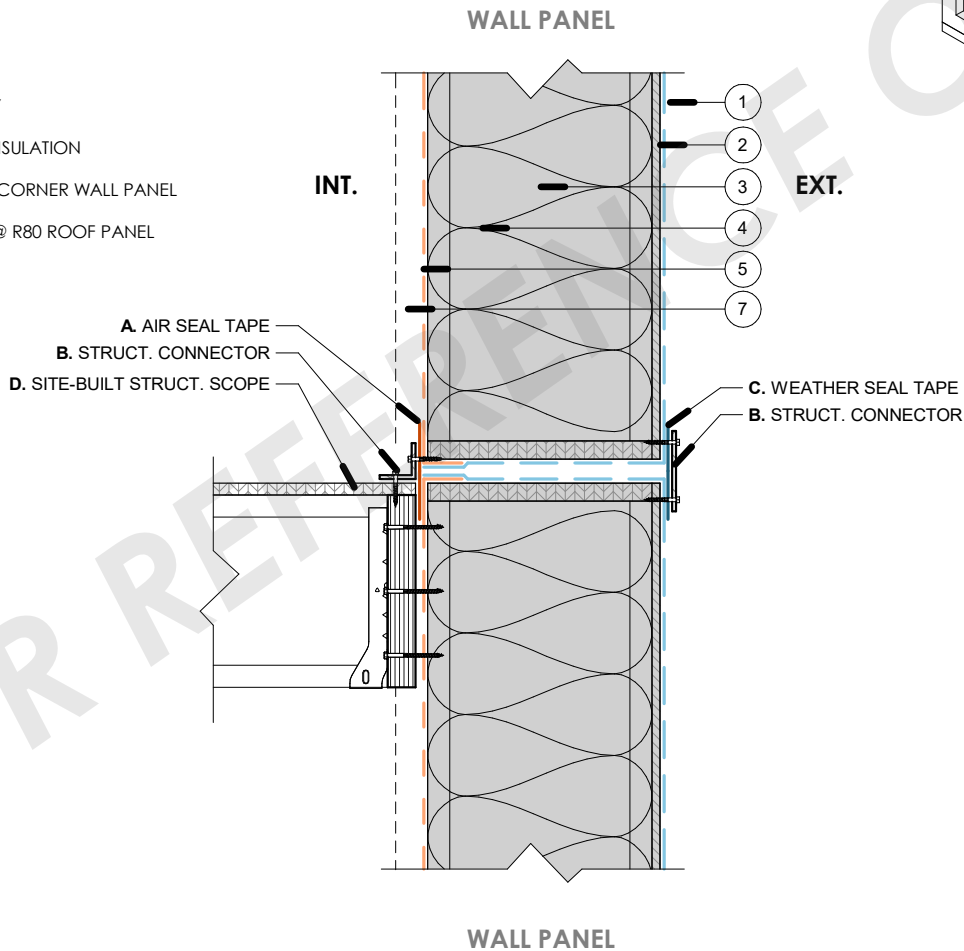
## LEDGERED MIDFLOOR

# MF-01



### PANEL COMPONENTS

1. WEATHER BARRIER
2. PLYWOOD SHEATHING / DECKING
3. WOOD I-JOIST FRAMING & 2X6 BEARING STUD
4. DENSE-PACK CELLULOSE INSULATION
5. AIR BARRIER
6. EXT. FURRING STRIPS
7. INT. SERVICE CAVITY
8. PANEL EDGE WEB INSULATION
9. PLYWOOD INFILL @ CORNER WALL PANEL
10. ADD. 2X6 FURRING @ R80 ROOF PANEL



REFER TO B.PUBLIC PREFAB  
PRODUCT DATA SHEETS &  
PANEL SPECIFICATIONS FOR  
FURTHER INFORMATION.

### B.PUBLIC PREFAB

900 W San Mateo Rd.  
Ste. 500  
Santa Fe, NM 87505  
(505) 230-4010  
info@bpublicprefab.com

## 1 LEDGERED MIDFLOOR

1" = 1'-0"

THESE COMPONENT IMAGES ARE PROVIDED FOR REFERENCE ONLY. ANY USE OF THE INFORMATION, OR MODIFICATIONS TO THEM, BY OWNER IS DONE AT OWNER'S OWN RISK. OWNER MUST HAVE THE RESULTS OF COMBINATIONS OF COMPONENT IMAGES OR ANY MODIFICATIONS THERETO REVIEWED AND/OR PREPARED BY A LOCAL LICENSED PROFESSIONAL ARCHITECT OR ENGINEER BEFORE USE FOR FINAL DESIGN OR CONSTRUCTION OF ANY STRUCTURE. B.PUBLIC (PUBLIC, PBC) RESERVES THE RIGHT TO DISCONTINUE, MODIFY OR CHANGE PRODUCTS AND DETAILS AT ANYTIME WITHOUT NOTICE. THE USE OF THIS DOCUMENT IS RESTRICTED TO THE PROJECT FOR WHICH IT WAS CREATED, AND PUBLICATION THEREOF IS EXPRESSLY LIMITED TO SUCH USE. ALL OTHER REUSE, REPRODUCTION OR PUBLICATION BY ANY METHOD, IN WHOLE OR IN PART, IS PROHIBITED.  
© 2024 PUBLIC, PBC.



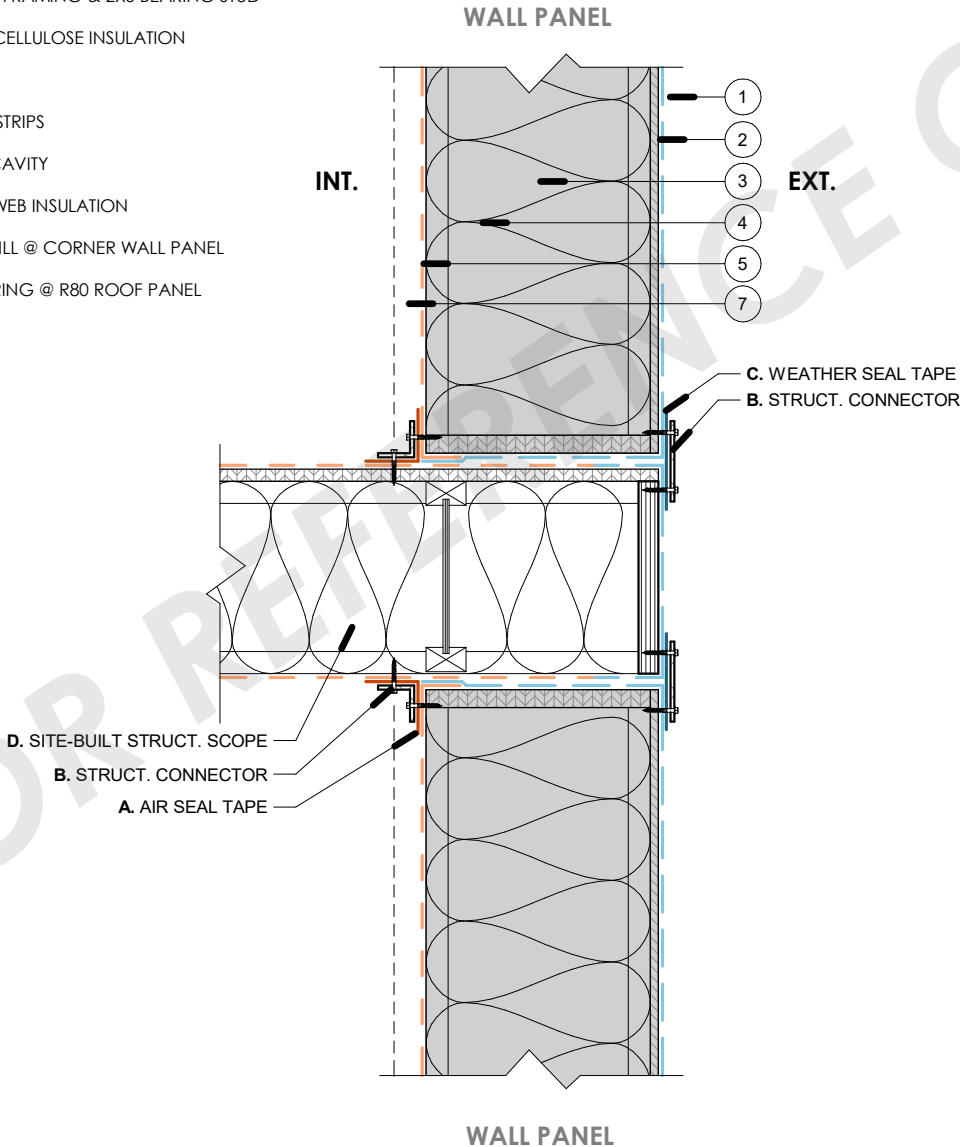
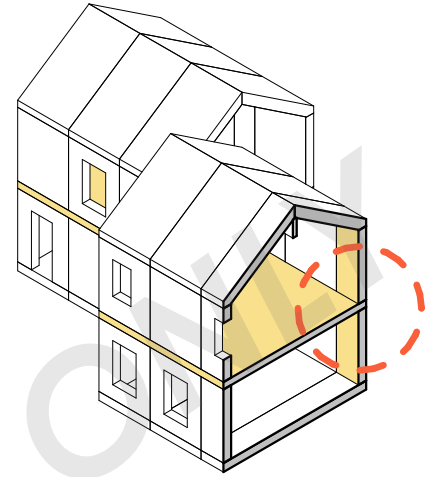
# PANEL CONNECTION DETAILS

## PLATFORM-FRAMED MIDFLOOR

# MF-02

### PANEL COMPONENTS

1. WEATHER BARRIER
2. PLYWOOD SHEATHING / DECKING
3. WOOD I-JOIST FRAMING & 2X6 BEARING STUD
4. DENSE-PACK CELLULOSE INSULATION
5. AIR BARRIER
6. EXT. FURRING STRIPS
7. INT. SERVICE CAVITY
8. PANEL EDGE WEB INSULATION
9. PLYWOOD INFILL @ CORNER WALL PANEL
10. ADD. 2X6 FURRING @ R80 ROOF PANEL



REFER TO B.PUBLIC PREFAB  
PRODUCT DATA SHEETS &  
PANEL SPECIFICATIONS FOR  
FURTHER INFORMATION.

### B.PUBLIC PREFAB

900 W San Mateo Rd.  
Ste. 500  
Santa Fe, NM 87505  
(505) 230-4010  
info@bpublicprefab.com

## 1 PLATFORM-FRAMED MIDFLOOR

1" = 1'-0"

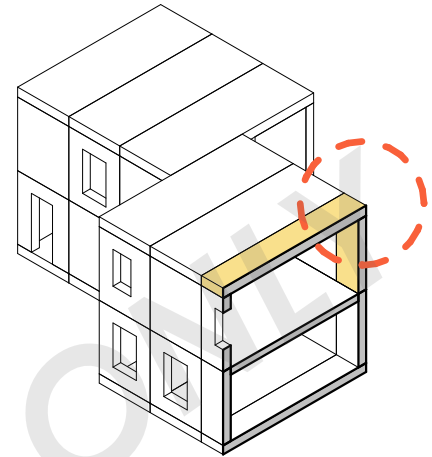
THESE COMPONENT IMAGES ARE PROVIDED FOR REFERENCE ONLY. ANY USE OF THE INFORMATION, OR MODIFICATIONS TO THEM, BY OWNER IS DONE AT OWNER'S OWN RISK. OWNER MUST HAVE THE RESULTS OF COMBINATIONS OF COMPONENT IMAGES OR ANY MODIFICATIONS THERETO REVIEWED AND/OR PREPARED BY A LOCAL LICENSED PROFESSIONAL ARCHITECT OR ENGINEER BEFORE USE FOR FINAL DESIGN OR CONSTRUCTION OF ANY STRUCTURE. B.PUBLIC (PUBLIC, PBC) RESERVES THE RIGHT TO DISCONTINUE, MODIFY OR CHANGE PRODUCTS AND DETAILS AT ANYTIME WITHOUT NOTICE. THE USE OF THIS DOCUMENT IS RESTRICTED TO THE PROJECT FOR WHICH IT WAS CREATED, AND PUBLICATION THEREOF IS EXPRESSLY LIMITED TO SUCH USE. ALL OTHER REUSE, REPRODUCTION OR PUBLICATION BY ANY METHOD, IN WHOLE OR IN PART, IS PROHIBITED.  
© 2024 PUBLIC, PBC.



# PANEL CONNECTION DETAILS

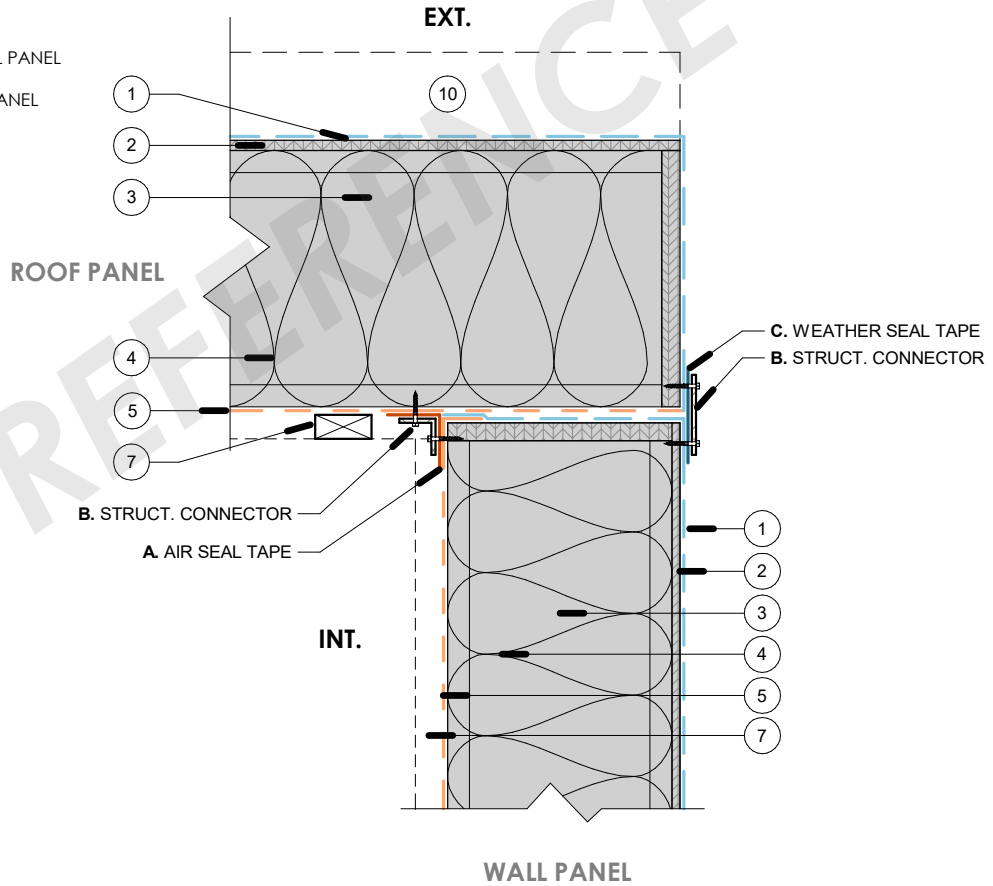
## WALL TO FLAT ROOF (BEARING)

# RC-01



### PANEL COMPONENTS

1. WEATHER BARRIER
2. PLYWOOD SHEATHING / DECKING
3. WOOD I-JOIST FRAMING & 2X6 BEARING STUD
4. DENSE-PACK CELLULOSE INSULATION
5. AIR BARRIER
6. EXT. FURRING STRIPS
7. INT. SERVICE CAVITY
8. PANEL EDGE WEB INSULATION
9. PLYWOOD INFILL @ CORNER WALL PANEL
10. ADD. 2X6 FURRING @ R80 ROOF PANEL



REFER TO B.PUBLIC PREFAB  
PRODUCT DATA SHEETS &  
PANEL SPECIFICATIONS FOR  
FURTHER INFORMATION.

### B.PUBLIC PREFAB

900 W San Mateo Rd.  
Ste. 500  
Santa Fe, NM 87505  
(505) 230-4010  
info@bpublicprefab.com

## 1 WALL TO FLAT ROOF (BEARING)

1" = 1'-0"

THESE COMPONENT IMAGES ARE PROVIDED FOR REFERENCE ONLY. ANY USE OF THE INFORMATION, OR MODIFICATIONS TO THEM, BY OWNER IS DONE AT OWNER'S OWN RISK. OWNER MUST HAVE THE RESULTS OF COMBINATIONS OF COMPONENT IMAGES OR ANY MODIFICATIONS THERETO REVIEWED AND/OR PREPARED BY A LOCAL LICENSED PROFESSIONAL ARCHITECT OR ENGINEER BEFORE USE FOR FINAL DESIGN OR CONSTRUCTION OF ANY STRUCTURE. B.PUBLIC (PUBLIC, PBC) RESERVES THE RIGHT TO DISCONTINUE, MODIFY OR CHANGE PRODUCTS AND DETAILS AT ANYTIME WITHOUT NOTICE. THE USE OF THIS DOCUMENT IS RESTRICTED TO THE PROJECT FOR WHICH IT WAS CREATED, AND PUBLICATION THEREOF IS EXPRESSLY LIMITED TO SUCH USE. ALL OTHER REUSE, REPRODUCTION OR PUBLICATION BY ANY METHOD, IN WHOLE OR IN PART, IS PROHIBITED.  
© 2024 PUBLIC, PBC.



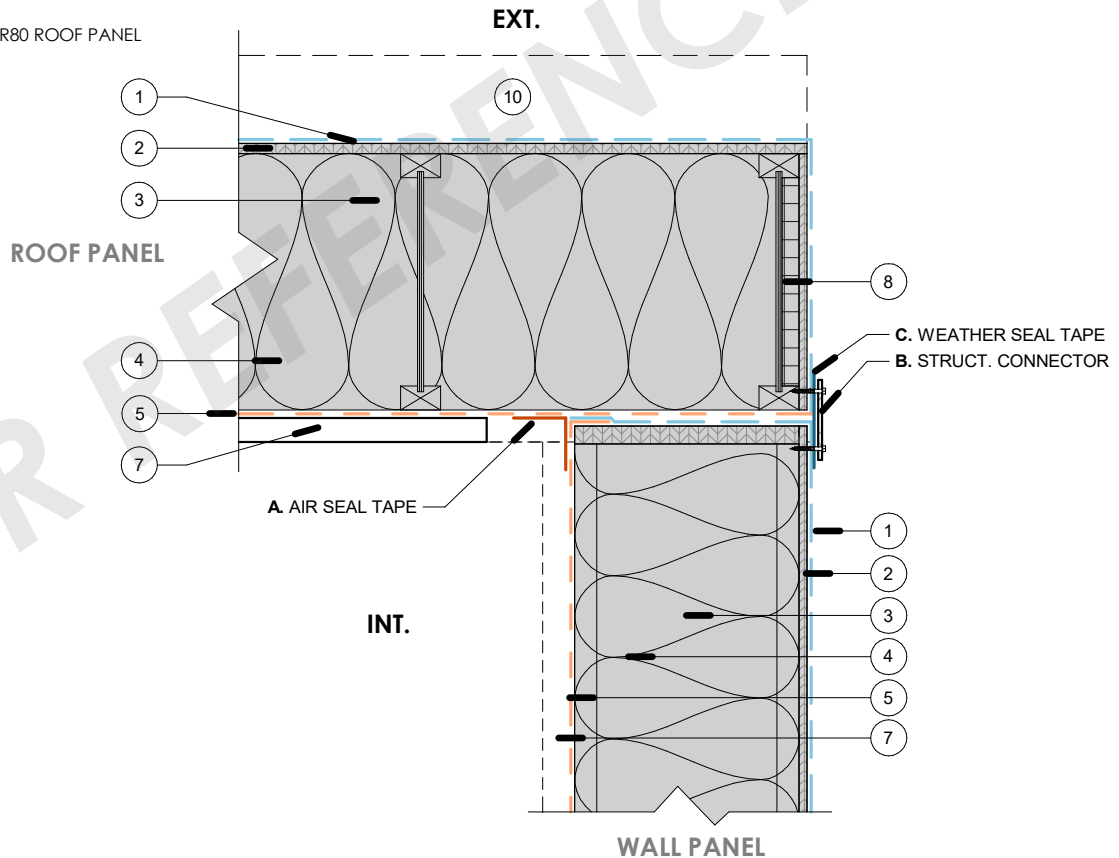
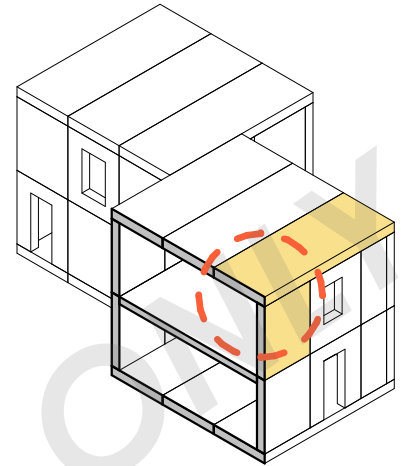
# PANEL CONNECTION DETAILS

## WALL TO ROOF (NON-BEARING)

# RC-02

### PANEL COMPONENTS

1. WEATHER BARRIER
2. PLYWOOD SHEATHING / DECKING
3. WOOD I-JOIST FRAMING & 2X6 BEARING STUD
4. DENSE-PACK CELLULOSE INSULATION
5. AIR BARRIER
6. EXT. FURRING STRIPS
7. INT. SERVICE CAVITY
8. PANEL EDGE WEB INSULATION
9. PLYWOOD INFILL @ CORNER WALL PANEL
10. ADD. 2X6 FURRING @ R80 ROOF PANEL



REFER TO B.PUBLIC PREFAB  
PRODUCT DATA SHEETS &  
PANEL SPECIFICATIONS FOR  
FURTHER INFORMATION.

### B.PUBLIC PREFAB

900 W San Mateo Rd.  
Ste. 500  
Santa Fe, NM 87505  
(505) 230-4010  
info@bpublicprefab.com

## 1 WALL TO ROOF (NON-BEARING)

1" = 1'-0"

THESE COMPONENT IMAGES ARE PROVIDED FOR REFERENCE ONLY. ANY USE OF THE INFORMATION, OR MODIFICATIONS TO THEM, BY OWNER IS DONE AT OWNER'S OWN RISK. OWNER MUST HAVE THE RESULTS OF COMBINATIONS OF COMPONENT IMAGES OR ANY MODIFICATIONS THERETO REVIEWED AND/OR PREPARED BY A LOCAL LICENSED PROFESSIONAL ARCHITECT OR ENGINEER BEFORE USE FOR FINAL DESIGN OR CONSTRUCTION OF ANY STRUCTURE. B.PUBLIC (PUBLIC, PBC) RESERVES THE RIGHT TO DISCONTINUE, MODIFY OR CHANGE PRODUCTS AND DETAILS AT ANYTIME WITHOUT NOTICE. THE USE OF THIS DOCUMENT IS RESTRICTED TO THE PROJECT FOR WHICH IT WAS CREATED, AND PUBLICATION THEREOF IS EXPRESSLY LIMITED TO SUCH USE. ALL OTHER REUSE, REPRODUCTION OR PUBLICATION BY ANY METHOD, IN WHOLE OR IN PART, IS PROHIBITED.  
© 2024 PUBLIC, PBC.



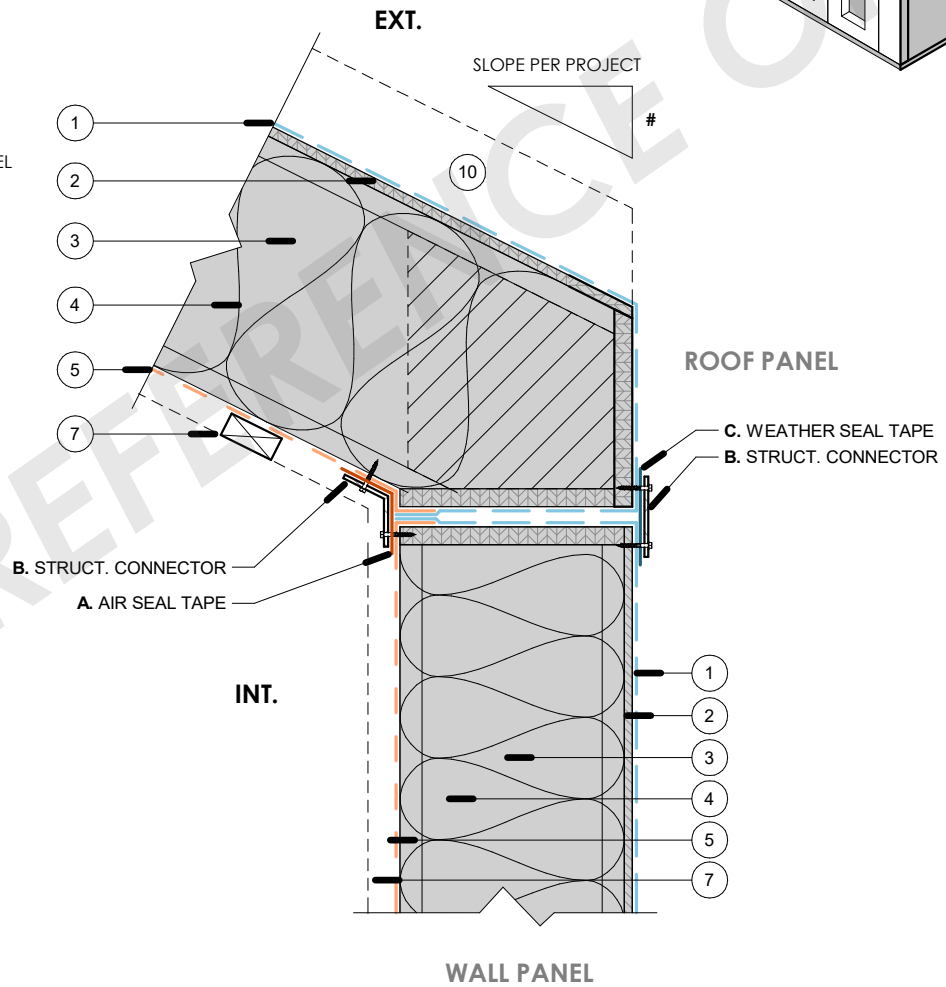
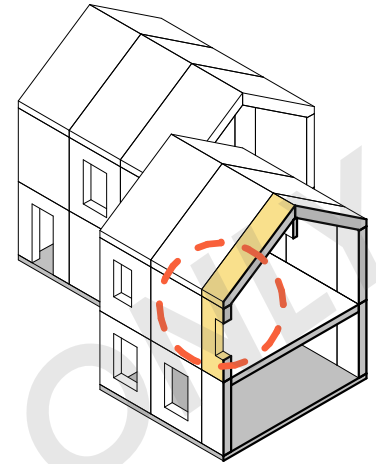
# PANEL CONNECTION DETAILS

## WALL TO SLOPED ROOF EAVE

# RC-03

### PANEL COMPONENTS

- 1. WEATHER BARRIER
- 2. PLYWOOD SHEATHING / DECKING
- 3. WOOD I-JOIST FRAMING & 2X6 BEARING STUD
- 4. DENSE-PACK CELLULOSE INSULATION
- 5. AIR BARRIER
- 6. EXT. FURRING STRIPS
- 7. INT. SERVICE CAVITY
- 8. PANEL EDGE WEB INSULATION
- 9. PLYWOOD INFILL @ CORNER WALL PANEL
- 10. ADD. 2X6 FURRING @ R80 ROOF PANEL



REFER TO B.PUBLIC PREFAB  
PRODUCT DATA SHEETS &  
PANEL SPECIFICATIONS FOR  
FURTHER INFORMATION.

### B.PUBLIC PREFAB

900 W San Mateo Rd.  
Ste. 500  
Santa Fe, NM 87505  
(505) 230-4010  
info@bpublicprefab.com

## 1 WALL TO SLOPED ROOF EAVE

1" = 1'-0"

THESE COMPONENT IMAGES ARE PROVIDED FOR REFERENCE ONLY. ANY USE OF THE INFORMATION, OR MODIFICATIONS TO THEM, BY OWNER IS DONE AT OWNER'S OWN RISK. OWNER MUST HAVE THE RESULTS OF COMBINATIONS OF COMPONENT IMAGES OR ANY MODIFICATIONS THERETO REVIEWED AND/OR PREPARED BY A LOCAL LICENSED PROFESSIONAL ARCHITECT OR ENGINEER BEFORE USE FOR FINAL DESIGN OR CONSTRUCTION OF ANY STRUCTURE. B.PUBLIC (PUBLIC, PBC) RESERVES THE RIGHT TO DISCONTINUE, MODIFY OR CHANGE PRODUCTS AND DETAILS AT ANYTIME WITHOUT NOTICE. THE USE OF THIS DOCUMENT IS RESTRICTED TO THE PROJECT FOR WHICH IT WAS CREATED, AND PUBLICATION THEREOF IS EXPRESSLY LIMITED TO SUCH USE. ALL OTHER REUSE, REPRODUCTION OR PUBLICATION BY ANY METHOD, IN WHOLE OR IN PART, IS PROHIBITED.  
© 2024 PUBLIC, PBC.





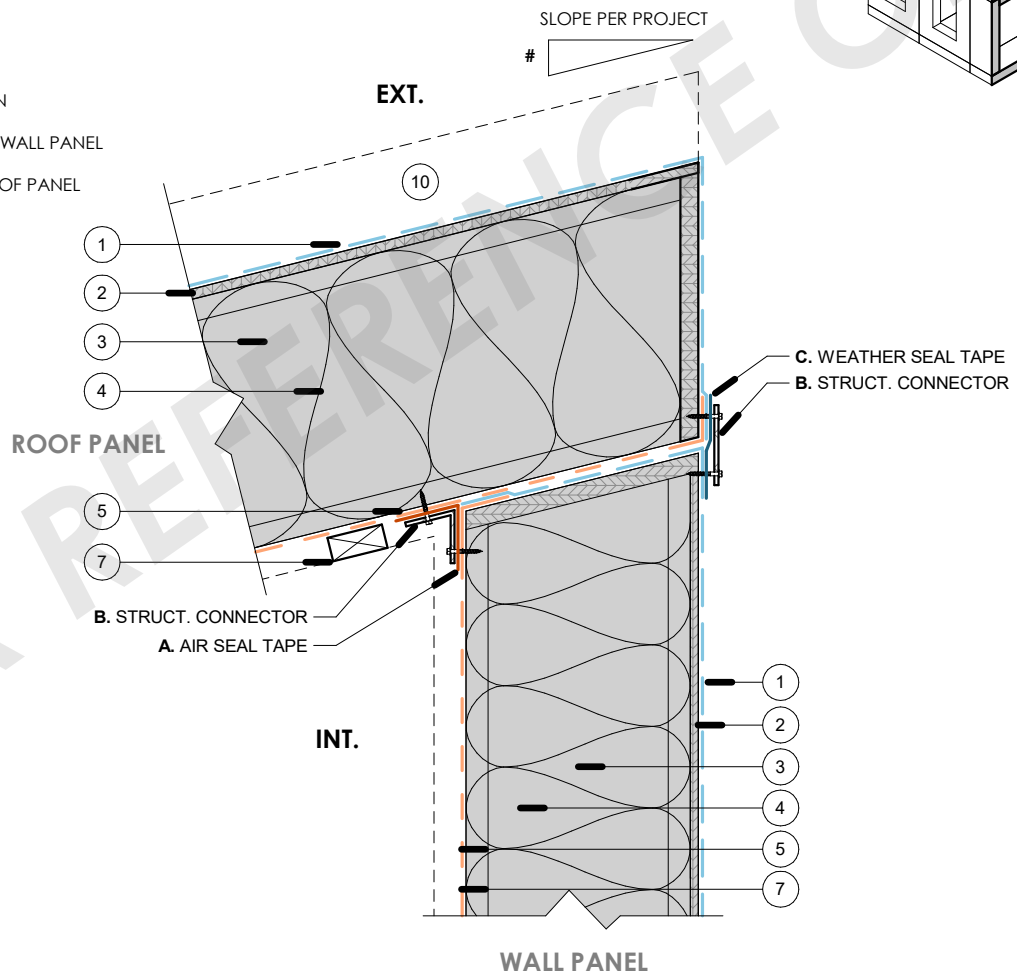
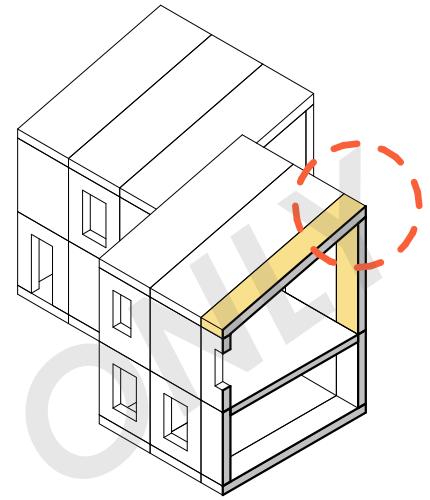
# PANEL CONNECTION DETAILS

## WALL TO SHED ROOF EAVE (HIGH END)

# RC-04

### PANEL COMPONENTS

1. WEATHER BARRIER
2. PLYWOOD SHEATHING / DECKING
3. WOOD I-JOIST FRAMING & 2X6 BEARING STUD
4. DENSE-PACK CELLULOSE INSULATION
5. AIR BARRIER
6. EXT. FURRING STRIPS
7. INT. SERVICE CAVITY
8. PANEL EDGE WEB INSULATION
9. PLYWOOD INFILL @ CORNER WALL PANEL
10. ADD. 2X6 FURRING @ R80 ROOF PANEL



REFER TO B.PUBLIC PREFAB  
PRODUCT DATA SHEETS &  
PANEL SPECIFICATIONS FOR  
FURTHER INFORMATION.

### B.PUBLIC PREFAB

900 W San Mateo Rd.  
Ste. 500  
Santa Fe, NM 87505  
(505) 230-4010  
info@bpublicprefab.com

## 1 WALL TO SHED ROOF EAVE (HIGH END)

1" = 1'-0"

THESE COMPONENT IMAGES ARE PROVIDED FOR REFERENCE ONLY. ANY USE OF THE INFORMATION, OR MODIFICATIONS TO THEM, BY OWNER IS DONE AT OWNER'S OWN RISK. OWNER MUST HAVE THE RESULTS OF COMBINATIONS OF COMPONENT IMAGES OR ANY MODIFICATIONS THERETO REVIEWED AND/OR PREPARED BY A LOCAL LICENSED PROFESSIONAL ARCHITECT OR ENGINEER BEFORE USE FOR FINAL DESIGN OR CONSTRUCTION OF ANY STRUCTURE. B.PUBLIC (PUBLIC, PBC) RESERVES THE RIGHT TO DISCONTINUE, MODIFY OR CHANGE PRODUCTS AND DETAILS AT ANYTIME WITHOUT NOTICE. THE USE OF THIS DOCUMENT IS RESTRICTED TO THE PROJECT FOR WHICH IT WAS CREATED, AND PUBLICATION THEREOF IS EXPRESSLY LIMITED TO SUCH USE. ALL OTHER REUSE, REPRODUCTION OR PUBLICATION BY ANY METHOD, IN WHOLE OR IN PART, IS PROHIBITED.  
© 2024 PUBLIC, PBC.



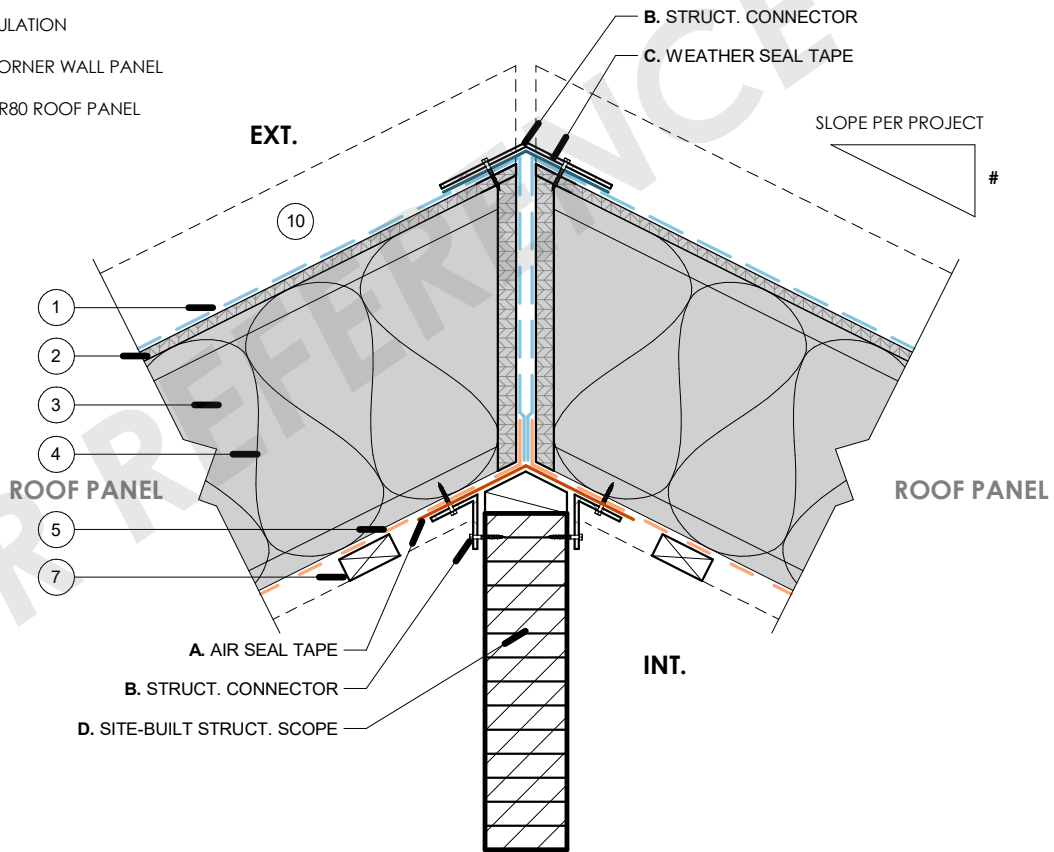
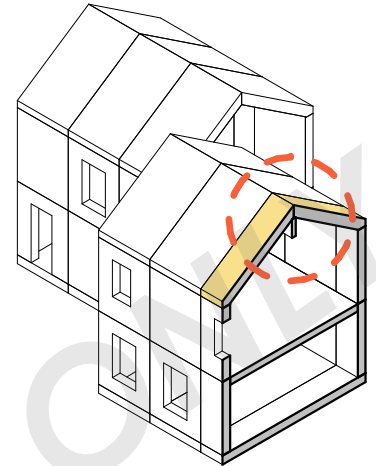
# PANEL CONNECTION DETAILS

## ROOF TO ROOF @ RIDGE BEAM

# RC-05

### PANEL COMPONENTS

1. WEATHER BARRIER
2. PLYWOOD SHEATHING / DECKING
3. WOOD I-JOIST FRAMING & 2X6 BEARING STUD
4. DENSE-PACK CELLULOSE INSULATION
5. AIR BARRIER
6. EXT. FURRING STRIPS
7. INT. SERVICE CAVITY
8. PANEL EDGE WEB INSULATION
9. PLYWOOD INFILL @ CORNER WALL PANEL
10. ADD. 2X6 FURRING @ R80 ROOF PANEL



REFER TO B.PUBLIC PREFAB  
PRODUCT DATA SHEETS &  
PANEL SPECIFICATIONS FOR  
FURTHER INFORMATION.

### B.PUBLIC PREFAB

900 W San Mateo Rd.  
Ste. 500  
Santa Fe, NM 87505  
(505) 230-4010  
info@bpublicprefab.com

# 1

## ROOF TO ROOF @ RIDGE BEAM

1" = 1'-0"

THESE COMPONENT IMAGES ARE PROVIDED FOR REFERENCE ONLY. ANY USE OF THE INFORMATION, OR MODIFICATIONS TO THEM, BY OWNER IS DONE AT OWNER'S OWN RISK. OWNER MUST HAVE THE RESULTS OF COMBINATIONS OF COMPONENT IMAGES OR ANY MODIFICATIONS THERETO REVIEWED AND/OR PREPARED BY A LOCAL LICENSED PROFESSIONAL ARCHITECT OR ENGINEER BEFORE USE FOR FINAL DESIGN OR CONSTRUCTION OF ANY STRUCTURE. B.PUBLIC (PUBLIC, PBC) RESERVES THE RIGHT TO DISCONTINUE, MODIFY OR CHANGE PRODUCTS AND DETAILS AT ANYTIME WITHOUT NOTICE. THE USE OF THIS DOCUMENT IS RESTRICTED TO THE PROJECT FOR WHICH IT WAS CREATED, AND PUBLICATION THEREOF IS EXPRESSLY LIMITED TO SUCH USE. ALL OTHER REUSE, REPRODUCTION OR PUBLICATION BY ANY METHOD, IN WHOLE OR IN PART, IS PROHIBITED.  
© 2024 PUBLIC, PBC.



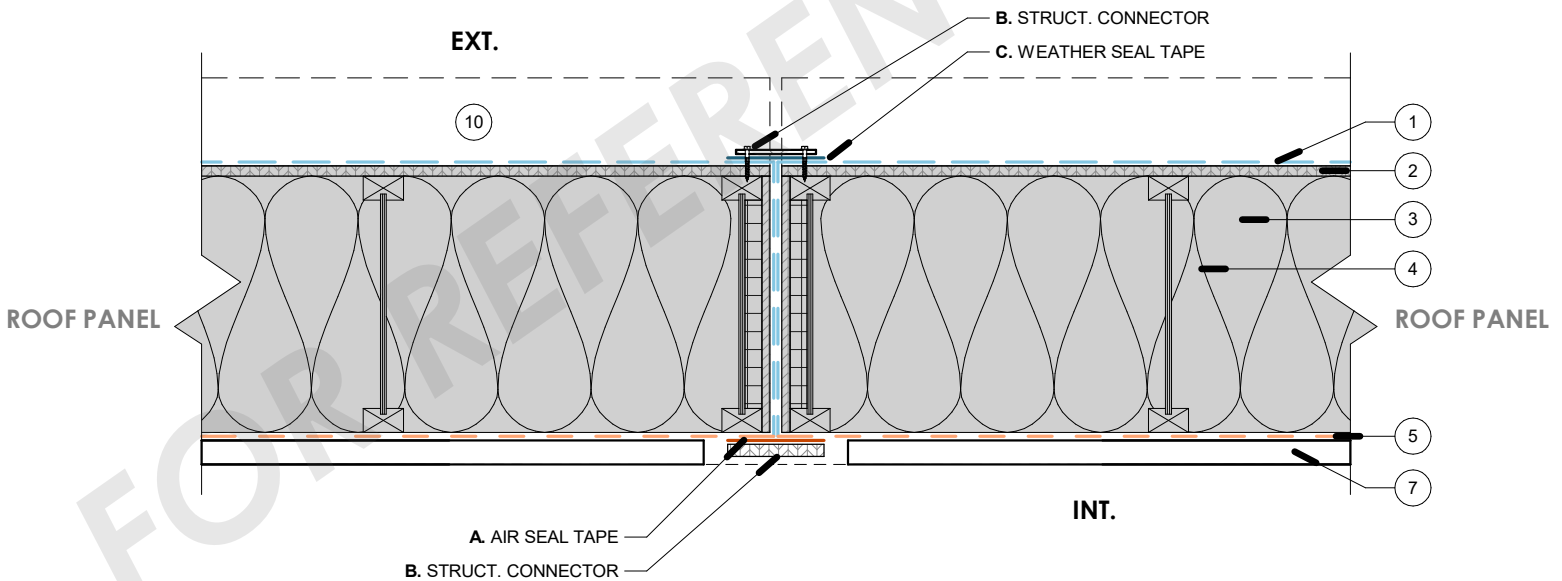
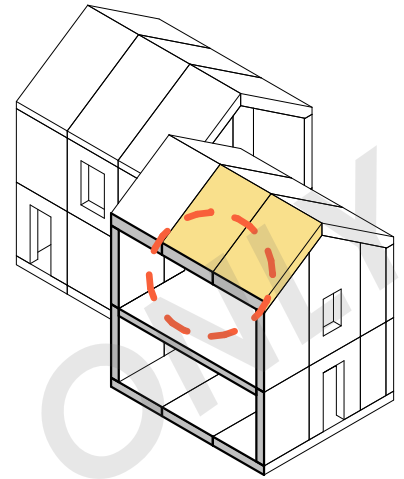
# PANEL CONNECTION DETAILS

## ROOF TO ROOF (NON-BEARING)

# RC-06

### PANEL COMPONENTS

1. WEATHER BARRIER
2. PLYWOOD SHEATHING / DECKING
3. WOOD I-JOIST FRAMING & 2X6 BEARING STUD
4. DENSE-PACK CELLULOSE INSULATION
5. AIR BARRIER
6. EXT. FURRING STRIPS
7. INT. SERVICE CAVITY
8. PANEL EDGE WEB INSULATION
9. PLYWOOD INFILL @ CORNER WALL PANEL
10. ADD. 2X6 FURRING @ R80 ROOF PANEL



REFER TO B.PUBLIC PREFAB  
PRODUCT DATA SHEETS &  
PANEL SPECIFICATIONS FOR  
FURTHER INFORMATION.

#### B.PUBLIC PREFAB

900 W San Mateo Rd.  
Ste. 500  
Santa Fe, NM 87505  
(505) 230-4010  
info@bpublicprefab.com

## 1 ROOF TO ROOF (NON-BEARING)

1" = 1'-0"

THESE COMPONENT IMAGES ARE PROVIDED FOR REFERENCE ONLY. ANY USE OF THE INFORMATION, OR MODIFICATIONS TO THEM, BY OWNER IS DONE AT OWNER'S OWN RISK. OWNER MUST HAVE THE RESULTS OF COMBINATIONS OF COMPONENT IMAGES OR ANY MODIFICATIONS THERETO REVIEWED AND/OR PREPARED BY A LOCAL LICENSED PROFESSIONAL ARCHITECT OR ENGINEER BEFORE USE FOR FINAL DESIGN OR CONSTRUCTION OF ANY STRUCTURE. B.PUBLIC (PUBLIC, PBC) RESERVES THE RIGHT TO DISCONTINUE, MODIFY OR CHANGE PRODUCTS AND DETAILS AT ANYTIME WITHOUT NOTICE. THE USE OF THIS DOCUMENT IS RESTRICTED TO THE PROJECT FOR WHICH IT WAS CREATED, AND PUBLICATION THEREOF IS EXPRESSLY LIMITED TO SUCH USE. ALL OTHER REUSE, REPRODUCTION OR PUBLICATION BY ANY METHOD, IN WHOLE OR IN PART, IS PROHIBITED.  
© 2024 PUBLIC, PBC.



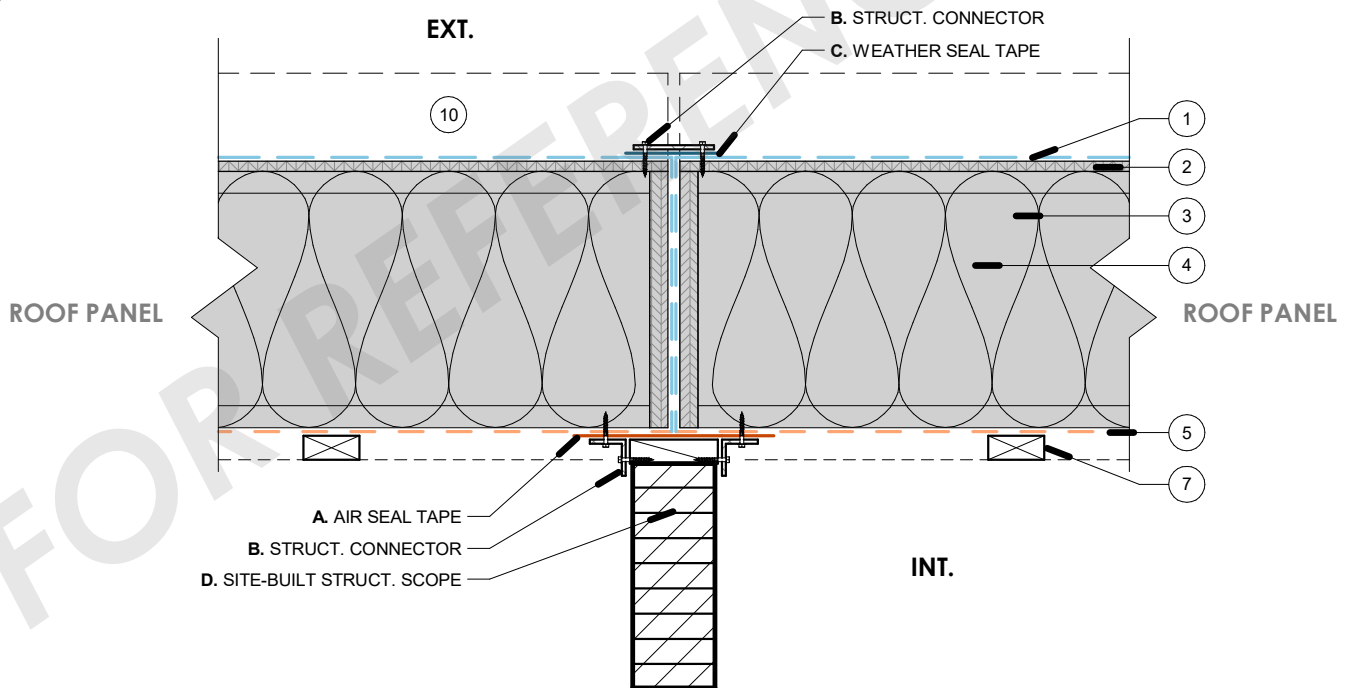
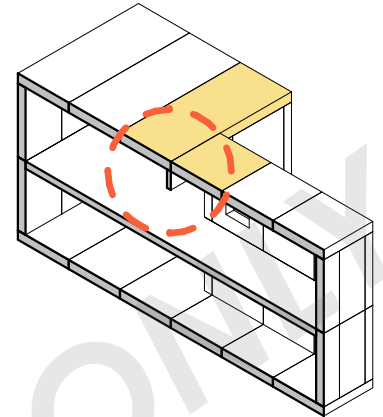
# PANEL CONNECTION DETAILS

## FLAT ROOF TO FLAT ROOF @ BEAM

# RC-07

### PANEL COMPONENTS

1. WEATHER BARRIER
2. PLYWOOD SHEATHING / DECKING
3. WOOD I-JOIST FRAMING & 2X6 BEARING STUD
4. DENSE-PACK CELLULOSE INSULATION
5. AIR BARRIER
6. EXT. FURRING STRIPS
7. INT. SERVICE CAVITY
8. PANEL EDGE WEB INSULATION
9. PLYWOOD INFILL @ CORNER WALL PANEL
10. ADD. 2X6 FURRING @ R80 ROOF PANEL



REFER TO B.PUBLIC PREFAB  
PRODUCT DATA SHEETS &  
PANEL SPECIFICATIONS FOR  
FURTHER INFORMATION.

### B.PUBLIC PREFAB

900 W San Mateo Rd.  
Ste. 500  
Santa Fe, NM 87505  
(505) 230-4010  
info@bpublicprefab.com

## 1 FLAT ROOF TO FLAT ROOF @ BEAM

1" = 1'-0"

THESE COMPONENT IMAGES ARE PROVIDED FOR REFERENCE ONLY. ANY USE OF THE INFORMATION, OR MODIFICATIONS TO THEM, BY OWNER IS DONE AT OWNER'S OWN RISK. OWNER MUST HAVE THE RESULTS OF COMBINATIONS OF COMPONENT IMAGES OR ANY MODIFICATIONS THERETO REVIEWED AND/OR PREPARED BY A LOCAL LICENSED PROFESSIONAL ARCHITECT OR ENGINEER BEFORE USE FOR FINAL DESIGN OR CONSTRUCTION OF ANY STRUCTURE. B.PUBLIC (PUBLIC, PBC) RESERVES THE RIGHT TO DISCONTINUE, MODIFY OR CHANGE PRODUCTS AND DETAILS AT ANYTIME WITHOUT NOTICE. THE USE OF THIS DOCUMENT IS RESTRICTED TO THE PROJECT FOR WHICH IT WAS CREATED, AND PUBLICATION THEREOF IS EXPRESSLY LIMITED TO SUCH USE. ALL OTHER REUSE, REPRODUCTION OR PUBLICATION BY ANY METHOD, IN WHOLE OR IN PART, IS PROHIBITED.  
© 2024 PUBLIC, PBC.



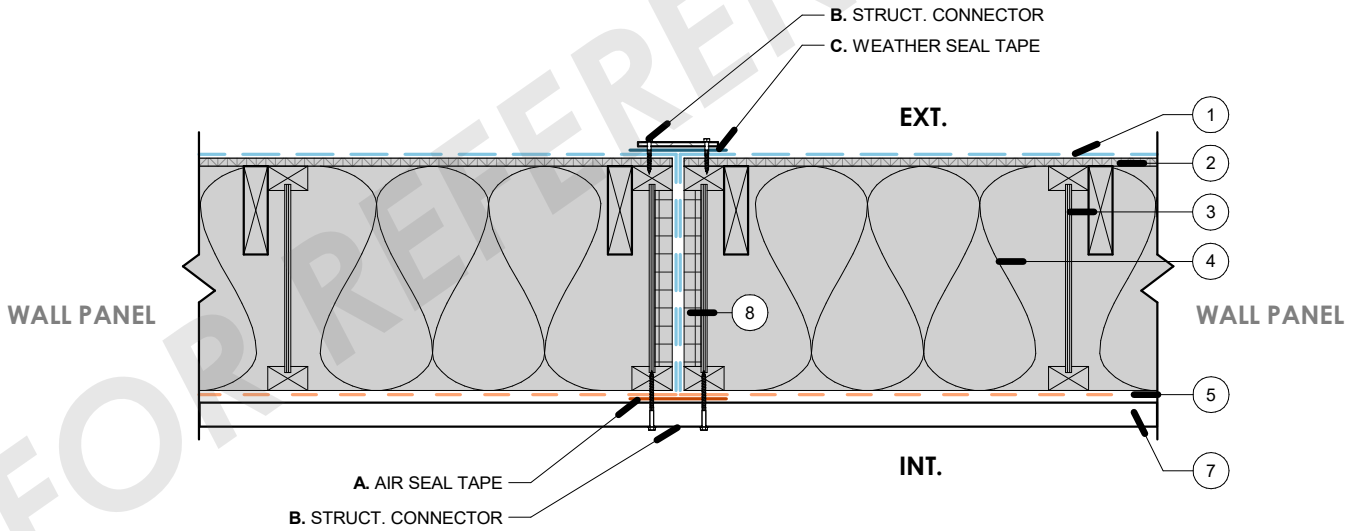
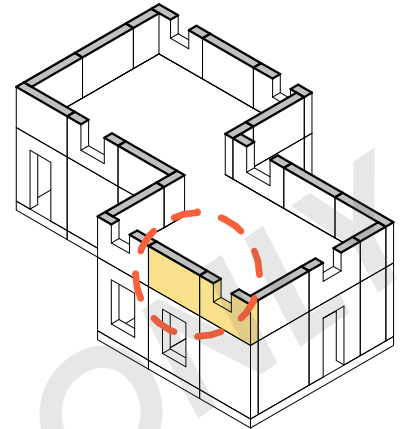
# PANEL CONNECTION DETAILS

## WALL TO WALL BUTT JOINT (PLAN)

# WC-01

### PANEL COMPONENTS

1. WEATHER BARRIER
2. PLYWOOD SHEATHING / DECKING
3. WOOD I-JOIST FRAMING & 2X6 BEARING STUD
4. DENSE-PACK CELLULOSE INSULATION
5. AIR BARRIER
6. EXT. FURRING STRIPS
7. INT. SERVICE CAVITY
8. PANEL EDGE WEB INSULATION
9. PLYWOOD INFILL @ CORNER WALL PANEL
10. ADD. 2X6 FURRING @ R80 ROOF PANEL



REFER TO B.PUBLIC PREFAB  
PRODUCT DATA SHEETS &  
PANEL SPECIFICATIONS FOR  
FURTHER INFORMATION.

### B.PUBLIC PREFAB

900 W San Mateo Rd.  
Ste. 500  
Santa Fe, NM 87505  
(505) 230-4010  
info@bpublicprefab.com

## 1 WALL TO WALL BUTT JOINT (PLAN)

1" = 1'-0"

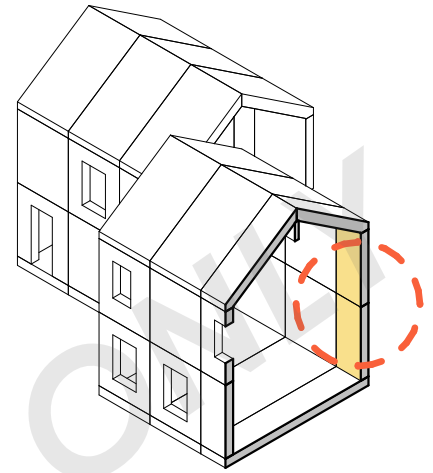
THESE COMPONENT IMAGES ARE PROVIDED FOR REFERENCE ONLY. ANY USE OF THE INFORMATION, OR MODIFICATIONS TO THEM, BY OWNER IS DONE AT OWNER'S OWN RISK. OWNER MUST HAVE THE RESULTS OF COMBINATIONS OF COMPONENT IMAGES OR ANY MODIFICATIONS THERETO REVIEWED AND/OR PREPARED BY A LOCAL LICENSED PROFESSIONAL ARCHITECT OR ENGINEER BEFORE USE FOR FINAL DESIGN OR CONSTRUCTION OF ANY STRUCTURE. B.PUBLIC (PUBLIC, PBC) RESERVES THE RIGHT TO DISCONTINUE, MODIFY OR CHANGE PRODUCTS AND DETAILS AT ANYTIME WITHOUT NOTICE. THE USE OF THIS DOCUMENT IS RESTRICTED TO THE PROJECT FOR WHICH IT WAS CREATED, AND PUBLICATION THEREOF IS EXPRESSLY LIMITED TO SUCH USE. ALL OTHER REUSE, REPRODUCTION OR PUBLICATION BY ANY METHOD, IN WHOLE OR IN PART, IS PROHIBITED.  
© 2024 PUBLIC, PBC.



# PANEL CONNECTION DETAILS

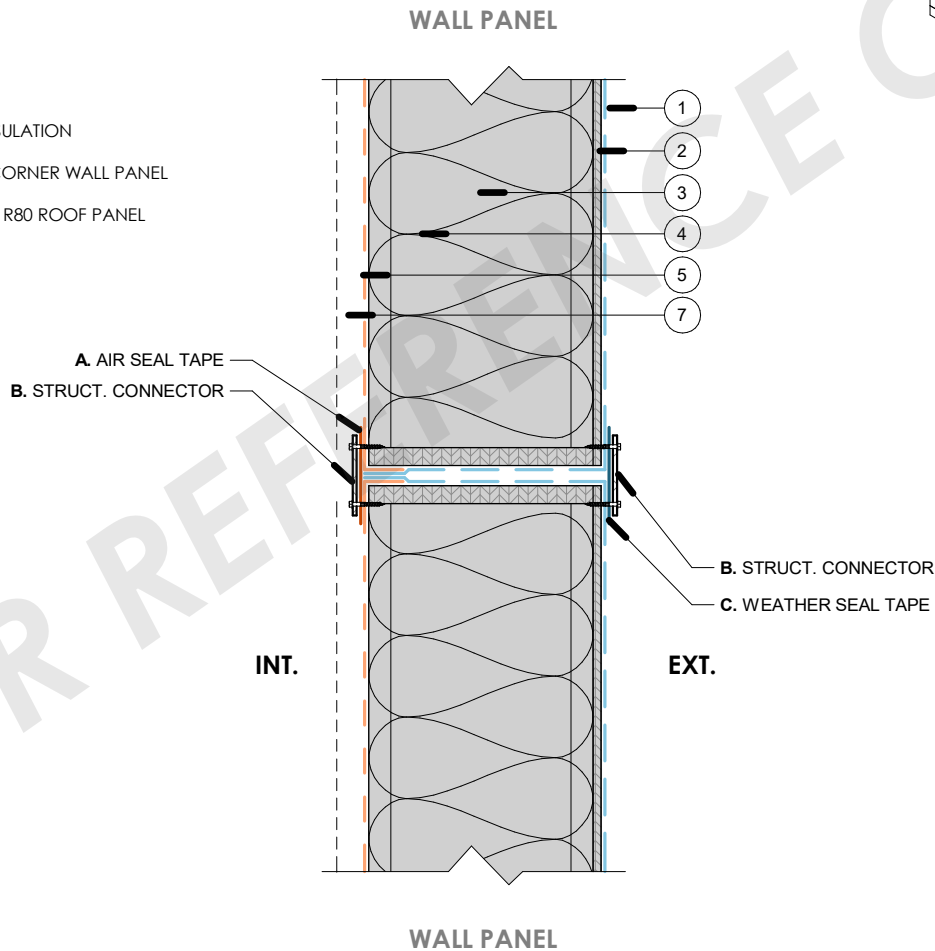
## WALL TO WALL - HORIZ. SEAM

# WC-02



### PANEL COMPONENTS

1. WEATHER BARRIER
2. PLYWOOD SHEATHING / DECKING
3. WOOD I-JOIST FRAMING & 2X6 BEARING STUD
4. DENSE-PACK CELLULOSE INSULATION
5. AIR BARRIER
6. EXT. FURRING STRIPS
7. INT. SERVICE CAVITY
8. PANEL EDGE WEB INSULATION
9. PLYWOOD INFILL @ CORNER WALL PANEL
10. ADD. 2X6 FURRING @ R80 ROOF PANEL



REFER TO B.PUBLIC PREFAB  
PRODUCT DATA SHEETS &  
PANEL SPECIFICATIONS FOR  
FURTHER INFORMATION.

### B.PUBLIC PREFAB

900 W San Mateo Rd.  
Ste. 500  
Santa Fe, NM 87505  
(505) 230-4010  
info@bpublicprefab.com

## 1 WALL TO WALL - HORIZ. SEAM

1" = 1'-0"

THESE COMPONENT IMAGES ARE PROVIDED FOR REFERENCE ONLY. ANY USE OF THE INFORMATION, OR MODIFICATIONS TO THEM, BY OWNER IS DONE AT OWNER'S OWN RISK. OWNER MUST HAVE THE RESULTS OF COMBINATIONS OF COMPONENT IMAGES OR ANY MODIFICATIONS THERETO REVIEWED AND/OR PREPARED BY A LOCAL LICENSED PROFESSIONAL ARCHITECT OR ENGINEER BEFORE USE FOR FINAL DESIGN OR CONSTRUCTION OF ANY STRUCTURE. B.PUBLIC (PUBLIC, PBC) RESERVES THE RIGHT TO DISCONTINUE, MODIFY OR CHANGE PRODUCTS AND DETAILS AT ANYTIME WITHOUT NOTICE. THE USE OF THIS DOCUMENT IS RESTRICTED TO THE PROJECT FOR WHICH IT WAS CREATED, AND PUBLICATION THEREOF IS EXPRESSLY LIMITED TO SUCH USE. ALL OTHER REUSE, REPRODUCTION OR PUBLICATION BY ANY METHOD, IN WHOLE OR IN PART, IS PROHIBITED.  
© 2024 PUBLIC, PBC.



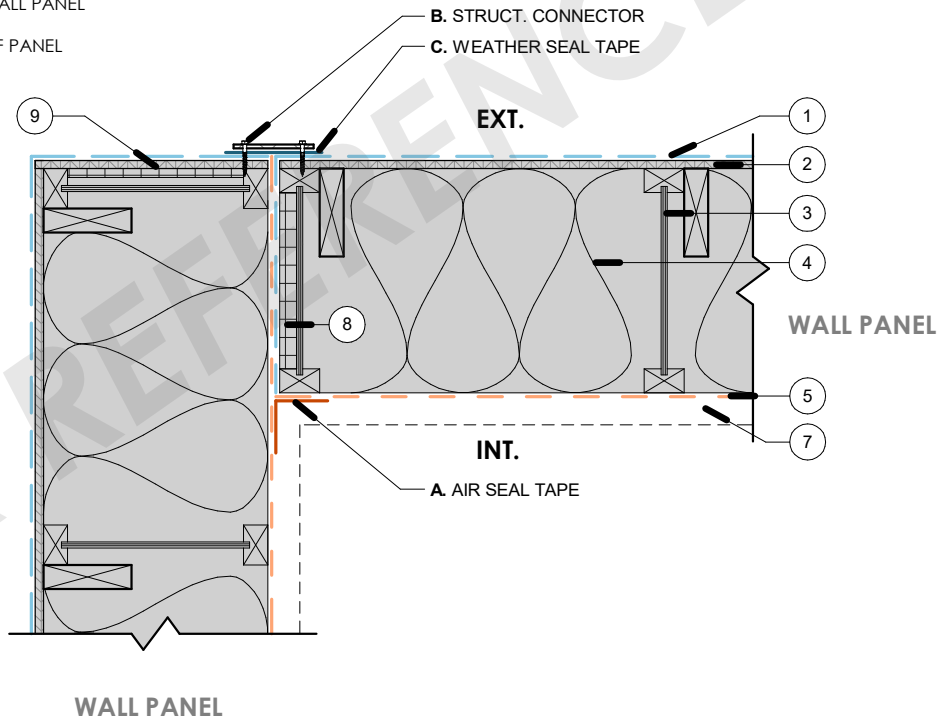
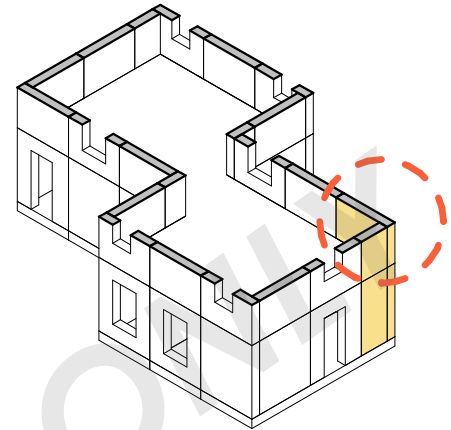
# PANEL CONNECTION DETAILS

## WALL TO WALL - OUTSIDE CORNER (PLAN)

# WC-03

### PANEL COMPONENTS

1. WEATHER BARRIER
2. PLYWOOD SHEATHING / DECKING
3. WOOD I-JOIST FRAMING & 2X6 BEARING STUD
4. DENSE-PACK CELLULOSE INSULATION
5. AIR BARRIER
6. EXT. FURRING STRIPS
7. INT. SERVICE CAVITY
8. PANEL EDGE WEB INSULATION
9. PLYWOOD INFILL @ CORNER WALL PANEL
10. ADD. 2X6 FURRING @ R80 ROOF PANEL



REFER TO B.PUBLIC PREFAB  
PRODUCT DATA SHEETS &  
PANEL SPECIFICATIONS FOR  
FURTHER INFORMATION.

#### B.PUBLIC PREFAB

900 W San Mateo Rd.  
Ste. 500  
Santa Fe, NM 87505  
(505) 230-4010  
info@bpublicprefab.com

## 1 WALL TO WALL - OUTSIDE CORNER (PLAN)

1" = 1'-0"

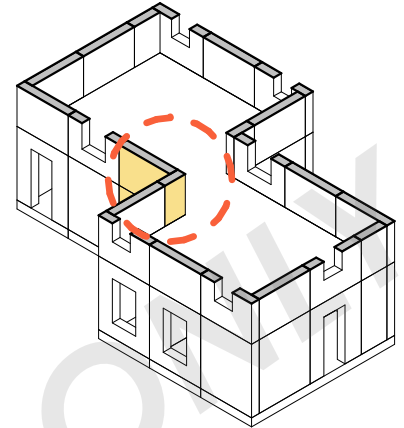
THESE COMPONENT IMAGES ARE PROVIDED FOR REFERENCE ONLY. ANY USE OF THE INFORMATION, OR MODIFICATIONS TO THEM, BY OWNER IS DONE AT OWNER'S OWN RISK. OWNER MUST HAVE THE RESULTS OF COMBINATIONS OF COMPONENT IMAGES OR ANY MODIFICATIONS THERETO REVIEWED AND/OR PREPARED BY A LOCAL LICENSED PROFESSIONAL ARCHITECT OR ENGINEER BEFORE USE FOR FINAL DESIGN OR CONSTRUCTION OF ANY STRUCTURE. B.PUBLIC (PUBLIC, PBC) RESERVES THE RIGHT TO DISCONTINUE, MODIFY OR CHANGE PRODUCTS AND DETAILS AT ANYTIME WITHOUT NOTICE. THE USE OF THIS DOCUMENT IS RESTRICTED TO THE PROJECT FOR WHICH IT WAS CREATED, AND PUBLICATION THEREOF IS EXPRESSLY LIMITED TO SUCH USE. ALL OTHER REUSE, REPRODUCTION OR PUBLICATION BY ANY METHOD, IN WHOLE OR IN PART, IS PROHIBITED.  
© 2024 PUBLIC, PBC.



# PANEL CONNECTION DETAILS

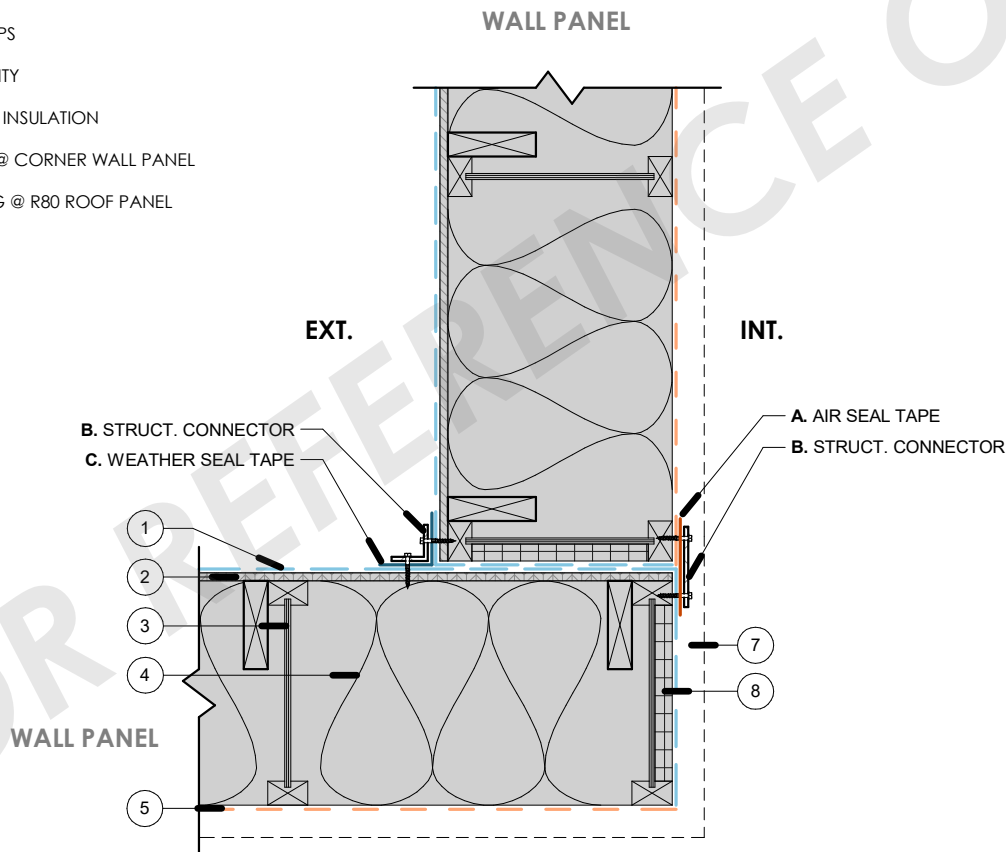
## WALL TO WALL - INSIDE CORNER (PLAN)

# WC-04



### PANEL COMPONENTS

1. WEATHER BARRIER
2. PLYWOOD SHEATHING / DECKING
3. WOOD I-JOIST FRAMING & 2X6 BEARING STUD
4. DENSE-PACK CELLULOSE INSULATION
5. AIR BARRIER
6. EXT. FURRING STRIPS
7. INT. SERVICE CAVITY
8. PANEL EDGE WEB INSULATION
9. PLYWOOD INFILL @ CORNER WALL PANEL
10. ADD. 2X6 FURRING @ R80 ROOF PANEL



REFER TO B.PUBLIC PREFAB  
PRODUCT DATA SHEETS &  
PANEL SPECIFICATIONS FOR  
FURTHER INFORMATION.

### B.PUBLIC PREFAB

900 W San Mateo Rd.  
Ste. 500  
Santa Fe, NM 87505  
(505) 230-4010  
info@bpublicprefab.com

## 1 WALL TO WALL - INSIDE CORNER (PLAN)

1" = 1'-0"

THESE COMPONENT IMAGES ARE PROVIDED FOR REFERENCE ONLY. ANY USE OF THE INFORMATION, OR MODIFICATIONS TO THEM, BY OWNER IS DONE AT OWNER'S OWN RISK. OWNER MUST HAVE THE RESULTS OF COMBINATIONS OF COMPONENT IMAGES OR ANY MODIFICATIONS THERETO REVIEWED AND/OR PREPARED BY A LOCAL LICENSED PROFESSIONAL ARCHITECT OR ENGINEER BEFORE USE FOR FINAL DESIGN OR CONSTRUCTION OF ANY STRUCTURE. B.PUBLIC (PUBLIC, PBC) RESERVES THE RIGHT TO DISCONTINUE, MODIFY OR CHANGE PRODUCTS AND DETAILS AT ANYTIME WITHOUT NOTICE. THE USE OF THIS DOCUMENT IS RESTRICTED TO THE PROJECT FOR WHICH IT WAS CREATED, AND PUBLICATION THEREOF IS EXPRESSLY LIMITED TO SUCH USE. ALL OTHER REUSE, REPRODUCTION OR PUBLICATION BY ANY METHOD, IN WHOLE OR IN PART, IS PROHIBITED.  
© 2024 PUBLIC, PBC.